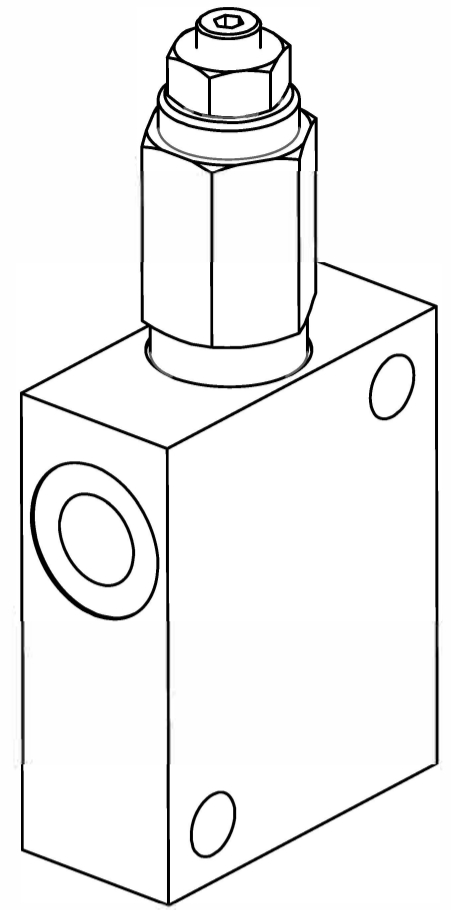
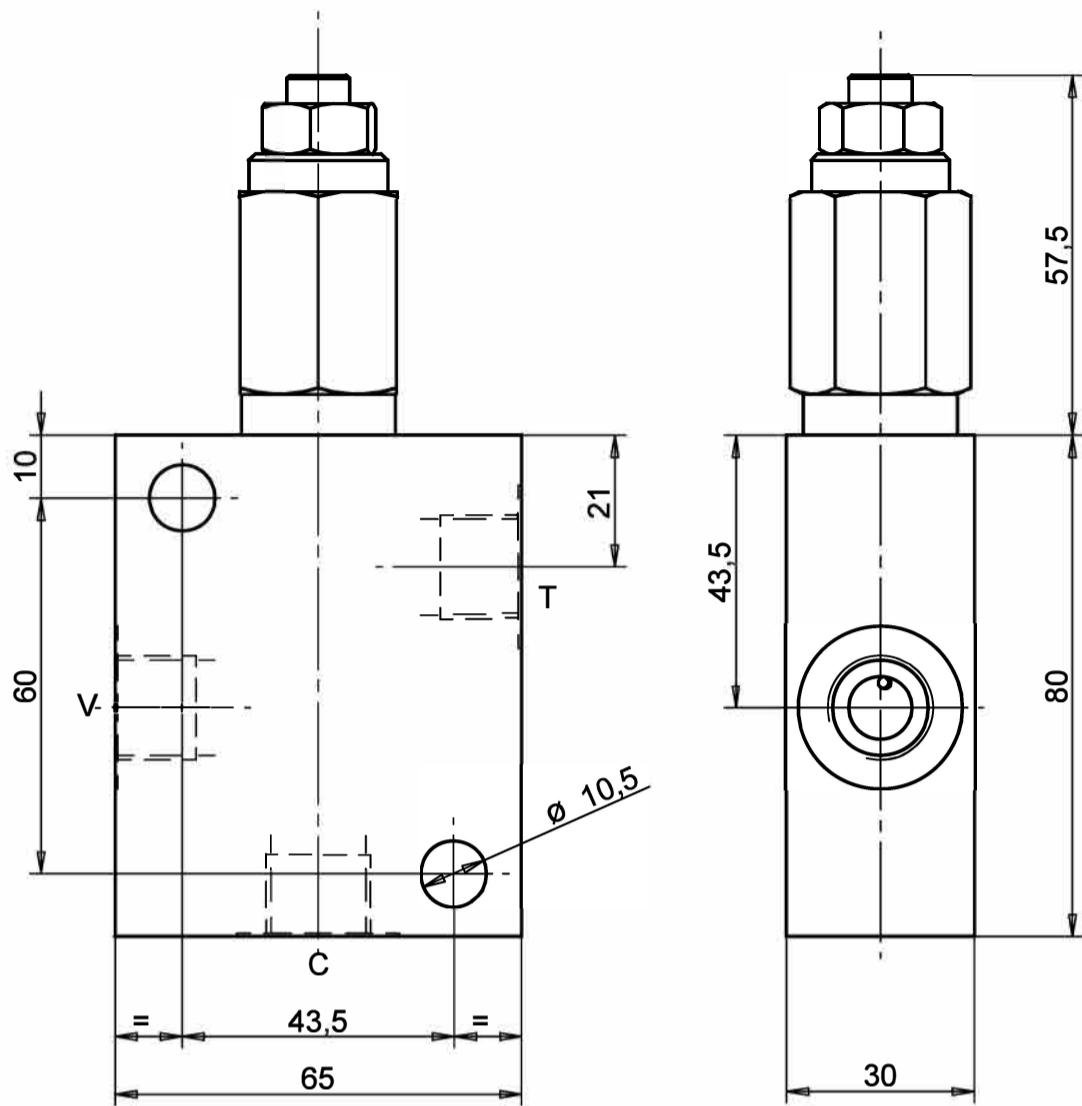
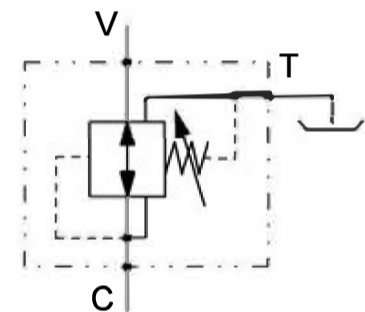


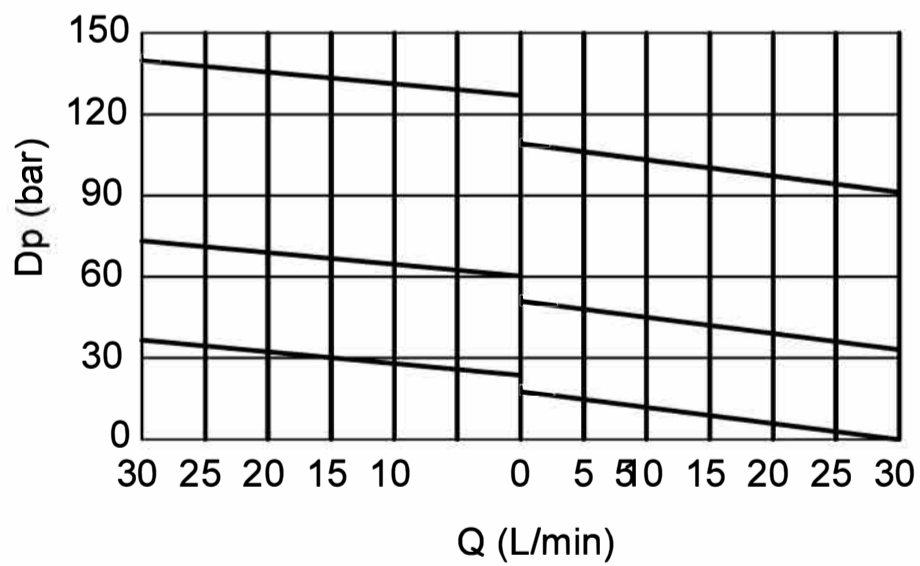
Dimensions



Hydraulic Symbol



Curves



Features

Max Pressure REG	140 bar
Max Pressure IN	350 bar
Max Flow	30 lpm

Materials: Zinc plated steel cartridge, hardened steel inner parts. Aluminium manifold.

Ordering Code

VPREDAD --

Port Size BSP

02

3/8