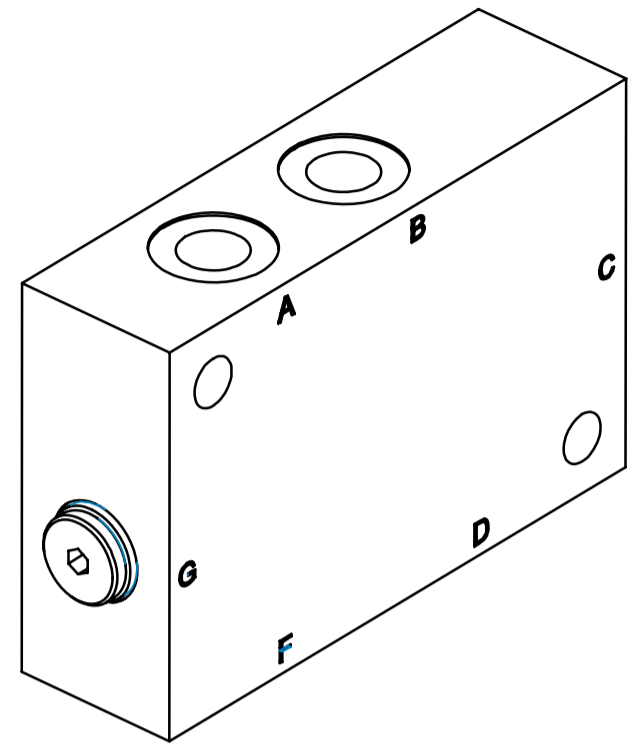
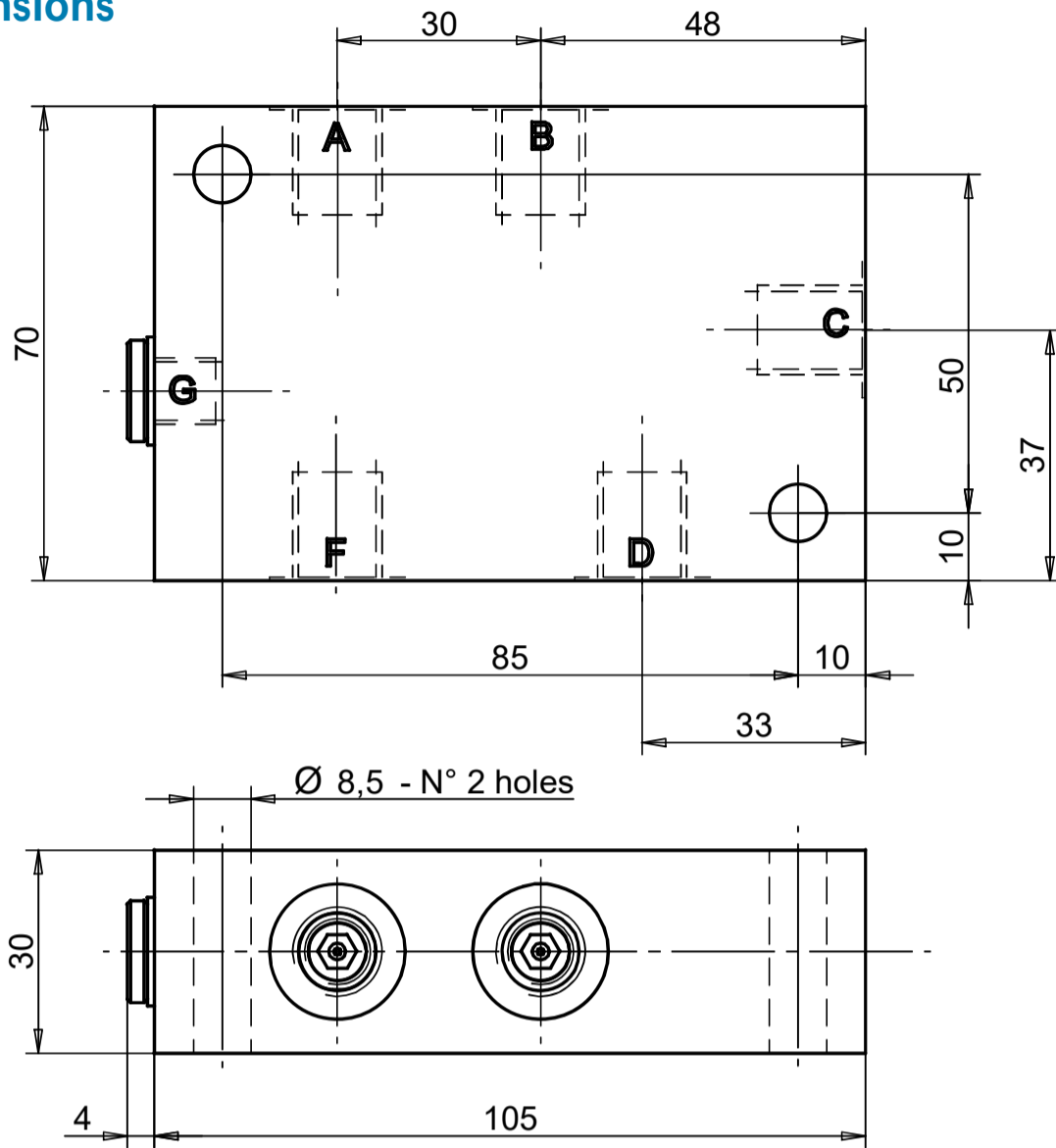
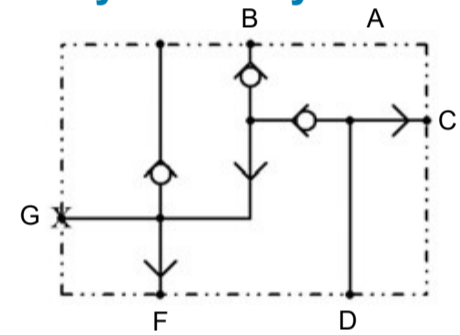


### Dimensions



### Hydraulic Symbol



### Features

Max Flow	10 lpm
Max Pressure	250 bar
Ports	A-B-C-D-F: 1/4 G: 1/8

**Materials:** Aluminium manifold, hardened steel inner parts.

### Ordering Code

**VSEL3V 01**