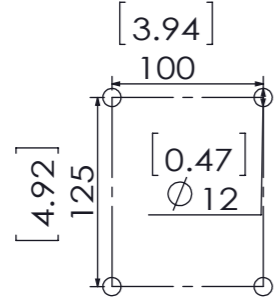
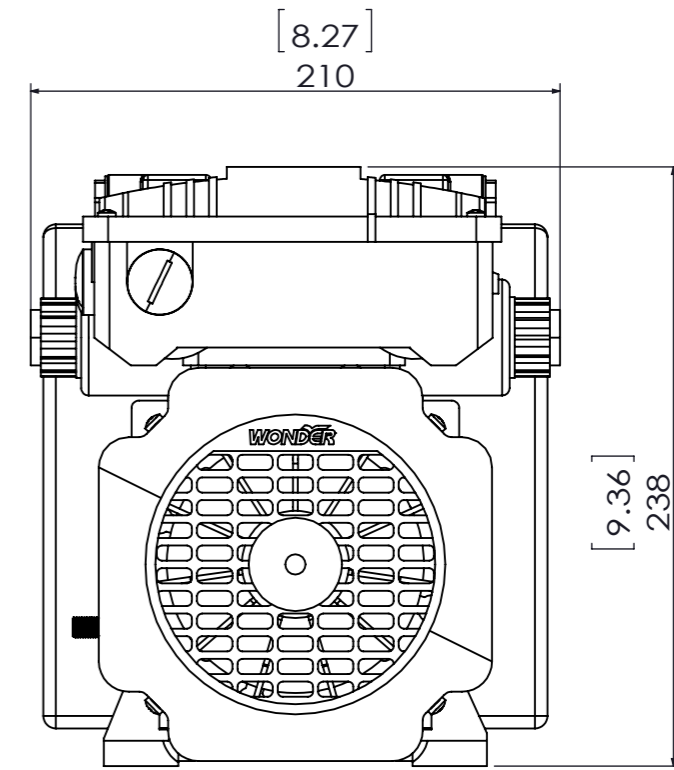
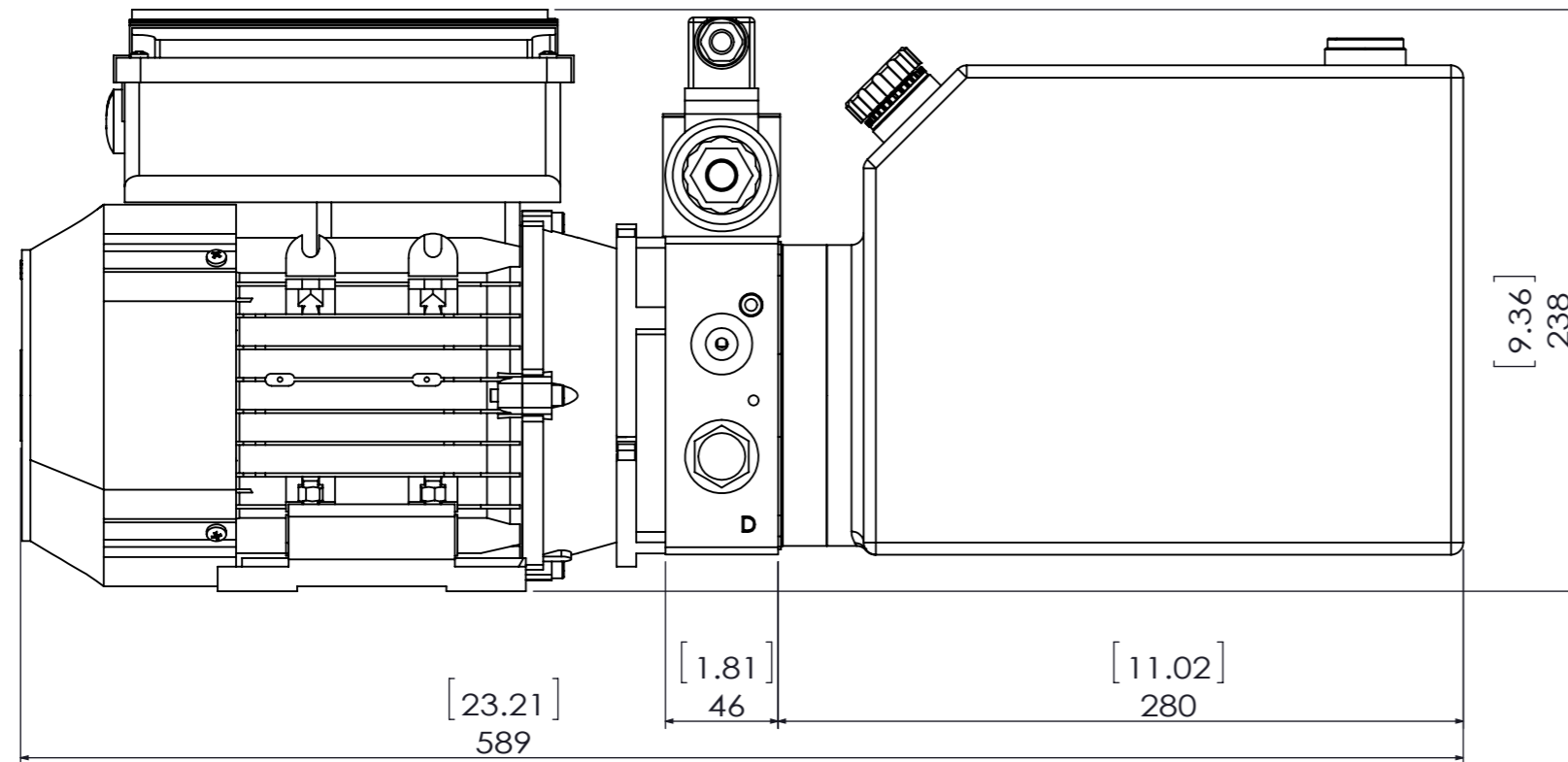


<<<< CUSTOMER APPROVAL >>>>

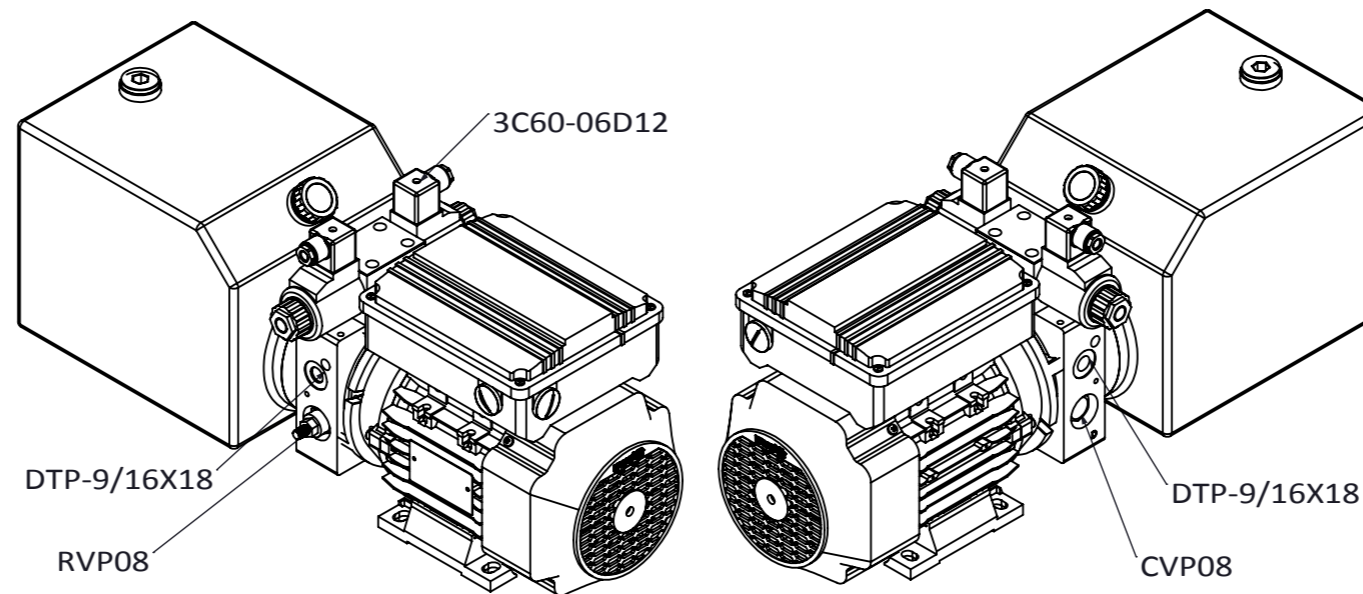
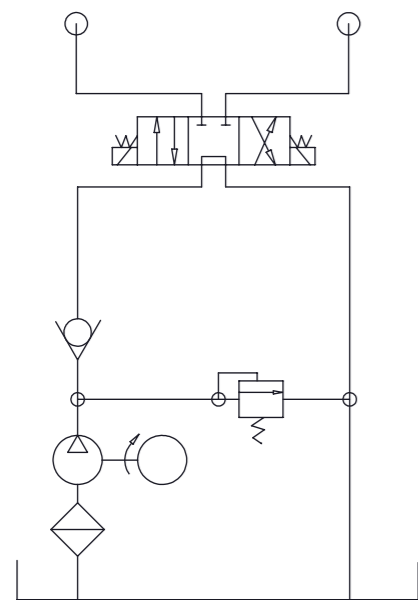
THIS DRAWING IS BEING SUBMITTED FOR YOUR APPROVAL OF THIS DESIGN ON YOUR APPLICATION AND REQUIREMENTS.
A SIGNATURE IS REQUIRED BEFORE AN ORDER CAN BE PROCESSED.

APPROVED BY _____ APPROVAL DATE ____/____/____

REV	DESCRIPTION	DATE	SIGNATURE	CHECKED
XXX	XXX	00/00/00	XXX	XXX



SPECIFICATIONS	
ELECTRICAL MOTOR	E11S-2-80-B34-WD-MLD,AC220V,50HZ,2800RPM,1.1KW
FLOW RATE	2.4LPM@1500PSI
MAX. PRESSURE	3000PSI
RELIEF SETTING	3000PSI
GEAR PUMP DISP.	G110T,1.1ML/REV
RESERVOIR	MT2,STEEL,2GAL
REMOTE CONTROL	N/A
MOUNTING	VERTICAL OR HORIZONTAL
PORTING	SAE6#



DESIGNED BY	CHECKED BY	APPROVAL DATE.
KMC	X	
REFER TO		
CUSTOMER	FILE NAME	SCALE
15AA131CH112B	15AE13M-004(15AA131CH112B).Rev.D	1:3

HYDRAULIC POWER UNIT

15AE13M-004 REVISION D SHEET 1:3