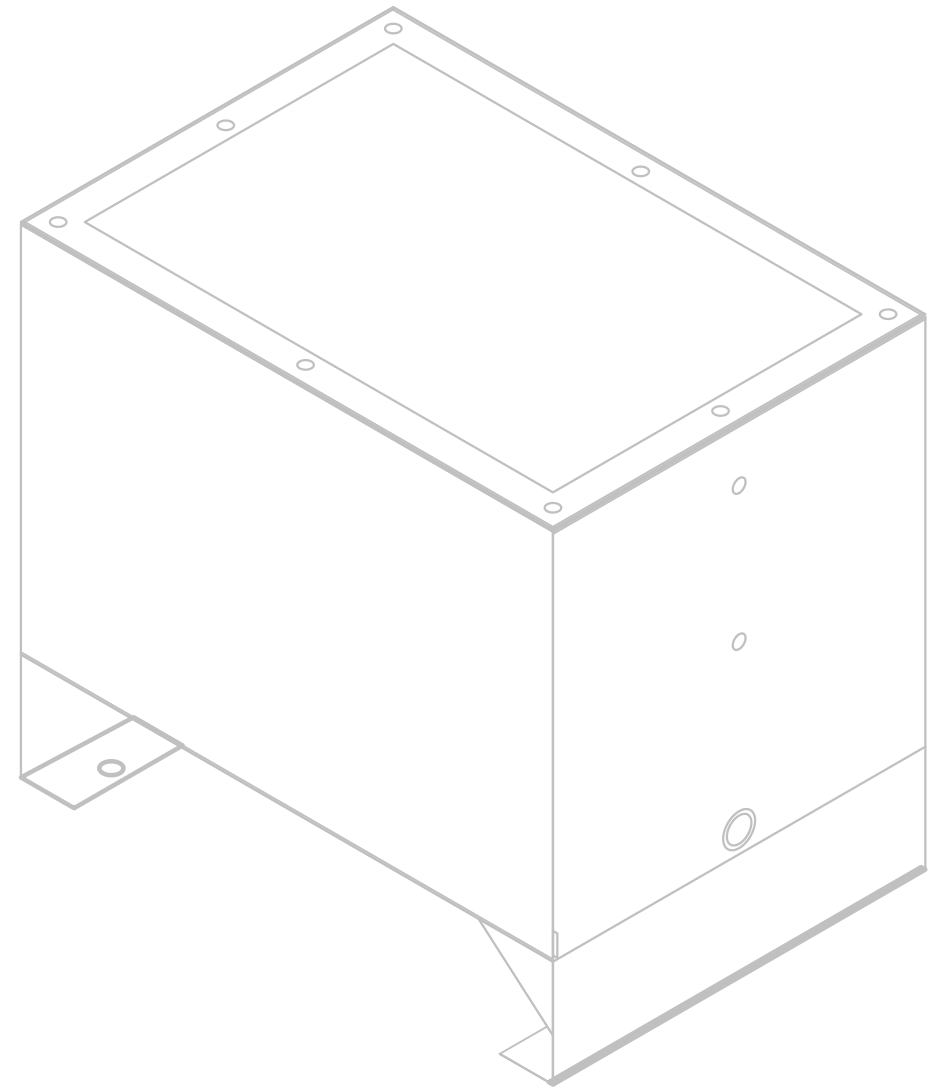
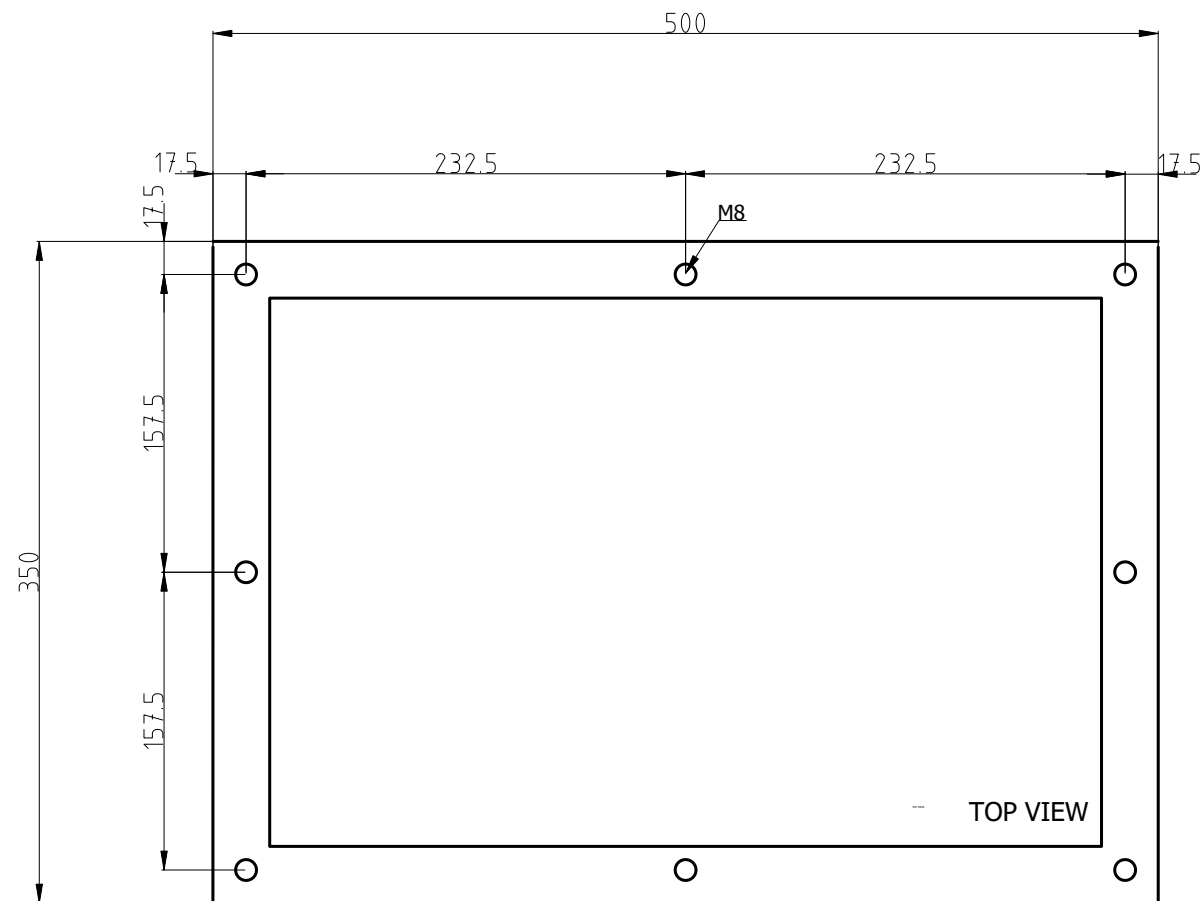
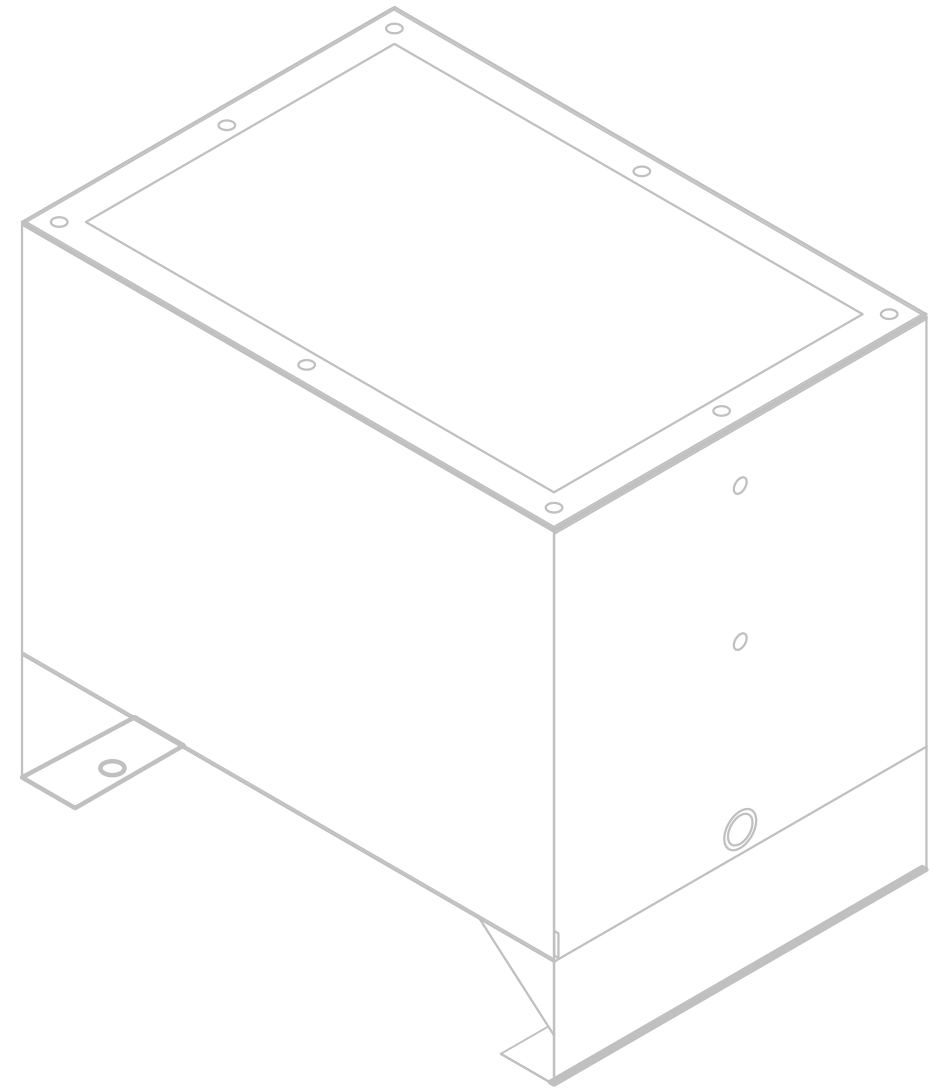
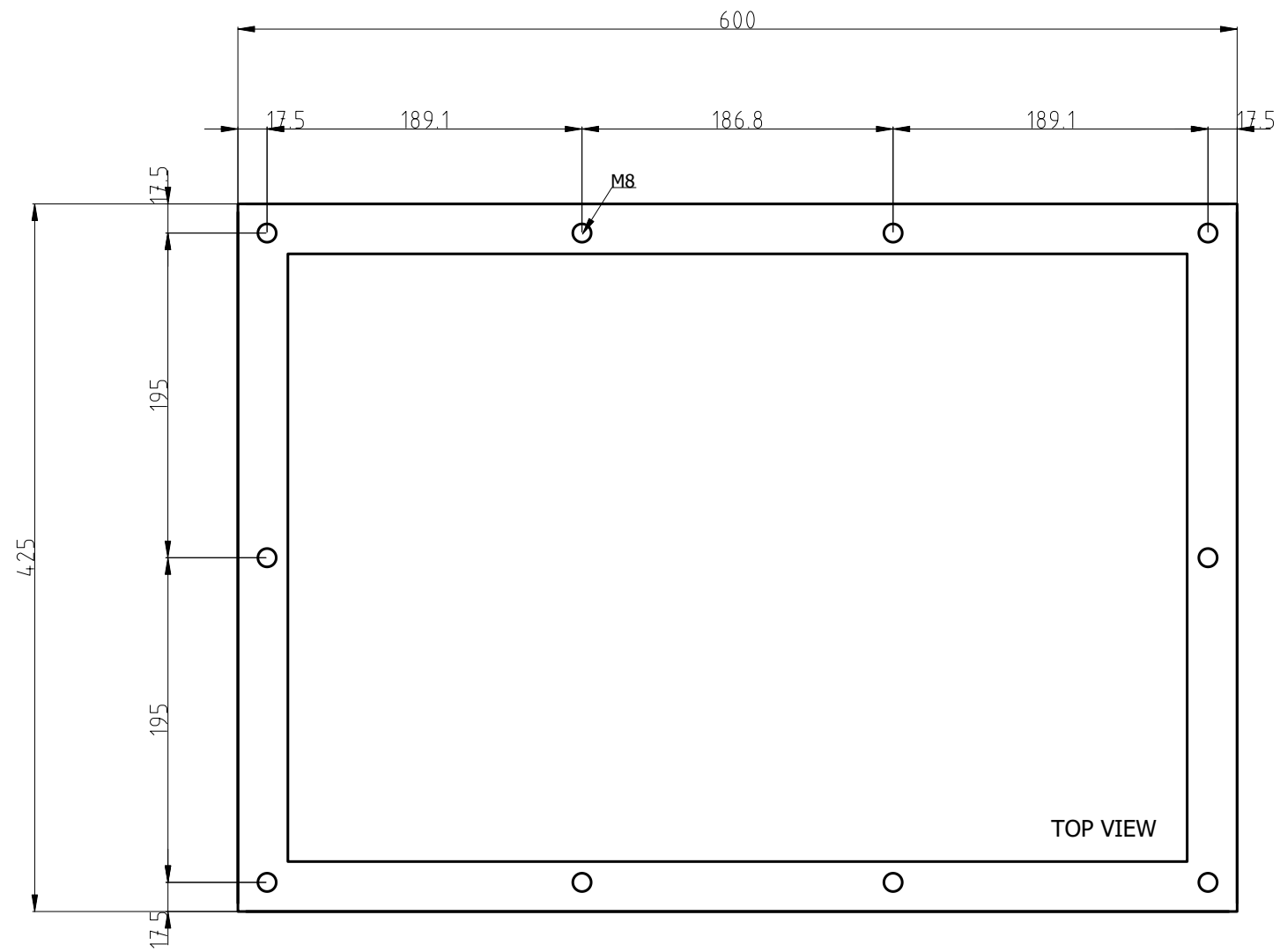


Part #	Volume (L)	Usable (L)	L(mm)	W(mm)	H(mm)	B(mm)
IT-40	60	IT-40	500	350	350	127
IT-70	100	IT-40	600	425	400	127
IT-120	165	IT-40	700	500	475	254
IT-200	260	IT-40	800	600	550	-
IT-300	380	IT-40	900	700	600	-
IT-400	500	IT-40	900	700	800	-

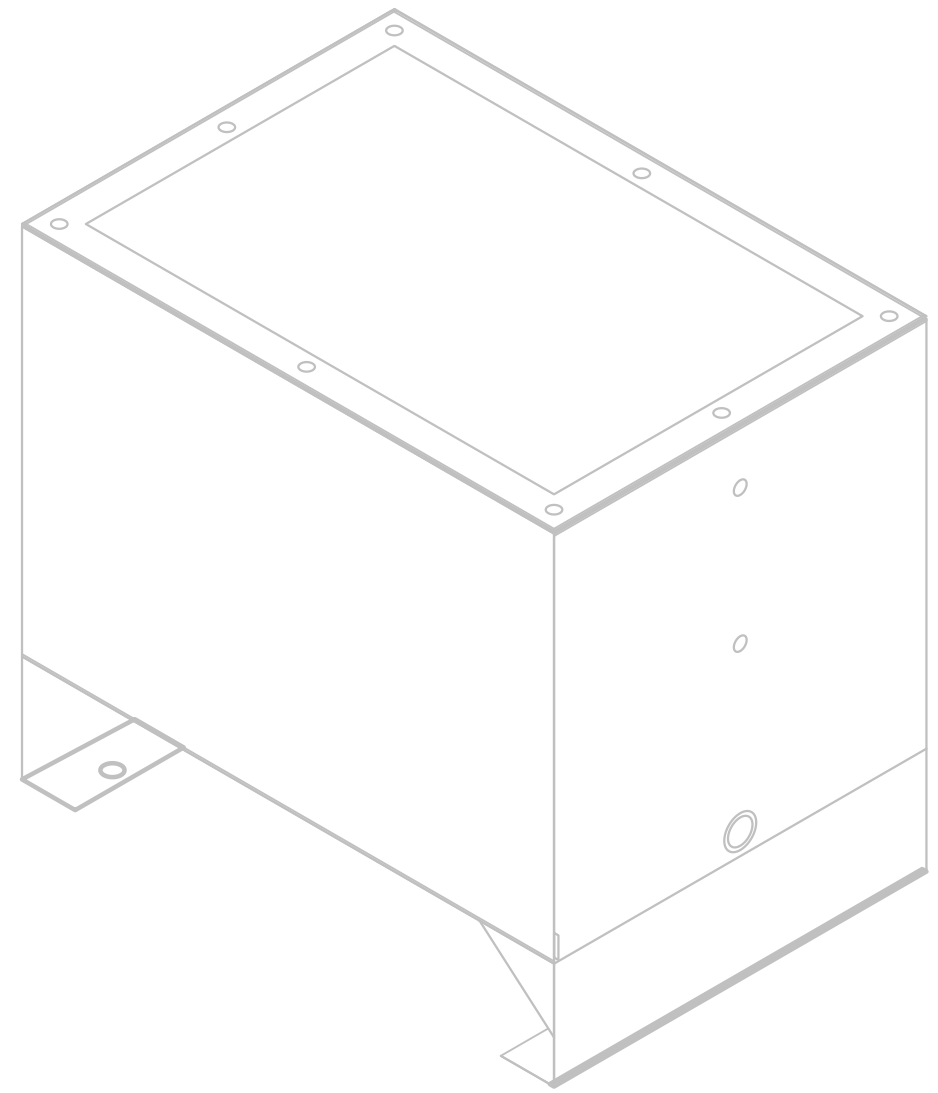
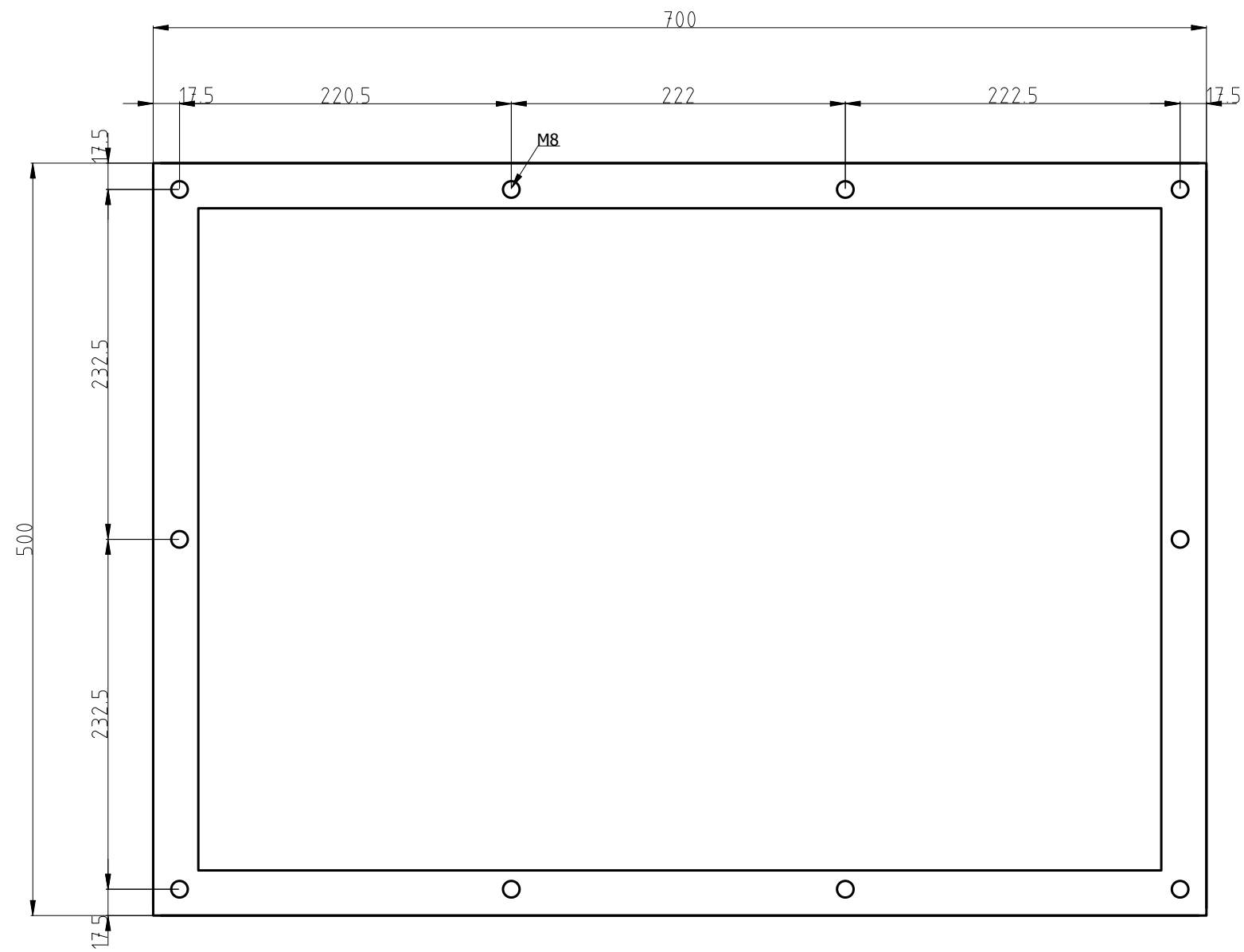
<b>Hydraulics Network</b>		PRODUCT CODE	Industrial Tank
		POWDER COAT COLOUR	BERRY GREY
DESIGNED BY	S.DALLAS	MATERIAL	4mm MS
APPROVAL DATE	23/01/2024	PAGE	1-6
SCALE	1:4	REVISION	0



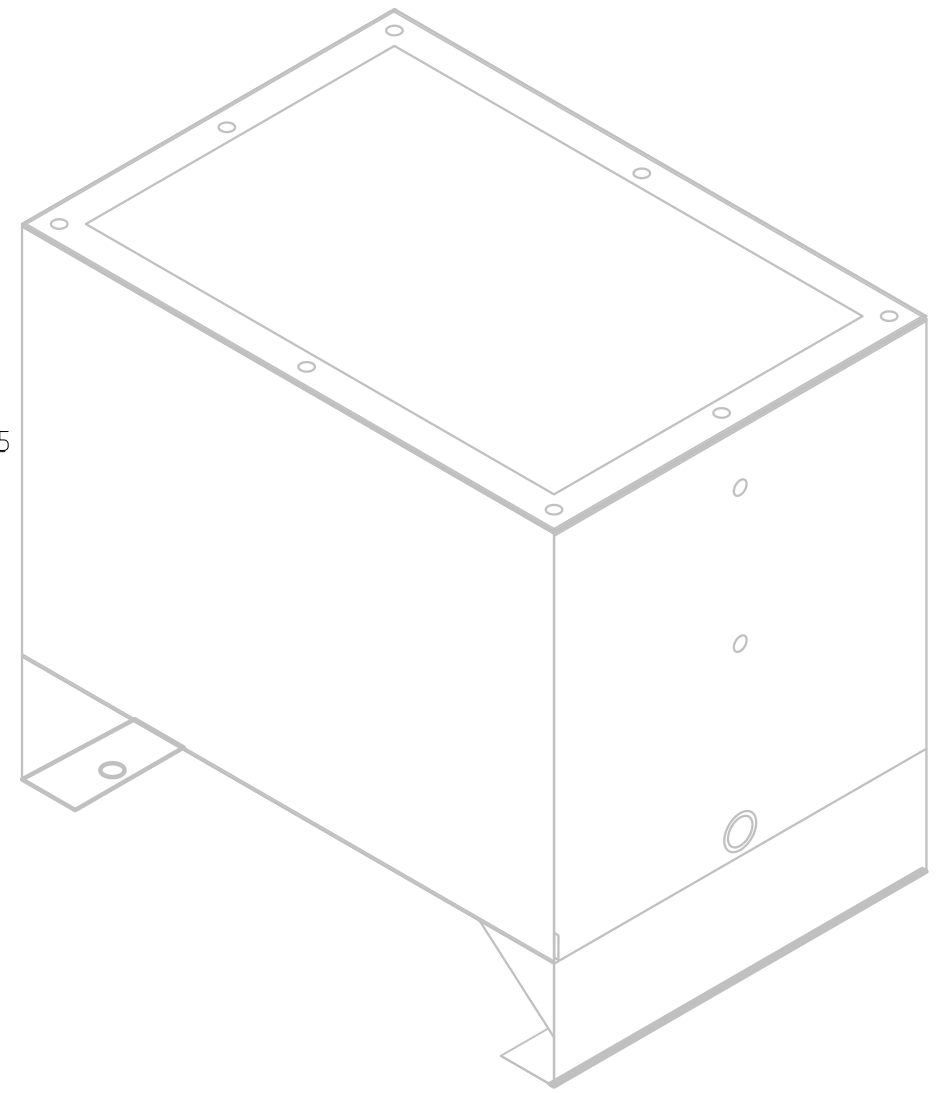
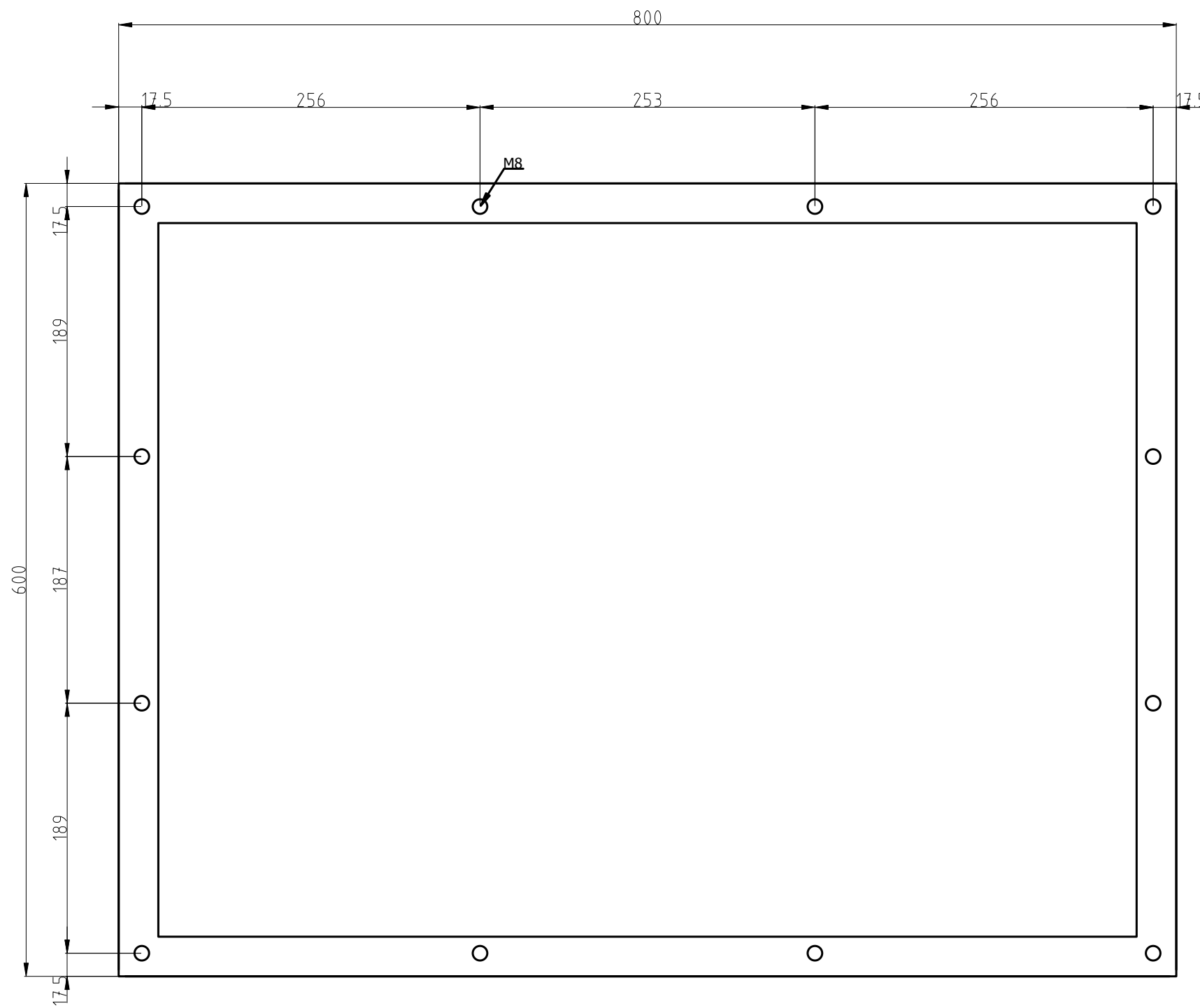
<b>Hydraulics Network</b>		PRODUCT CODE	IT40
DESIGNED BY S.DALLAS		POWDER COAT COLOUR	BERRY GREY
APPROVAL DATE: 23/01/2024		MATERIAL	4mm MS
SCALE: 1:4	REVISION: 0	PAGE:	2-6



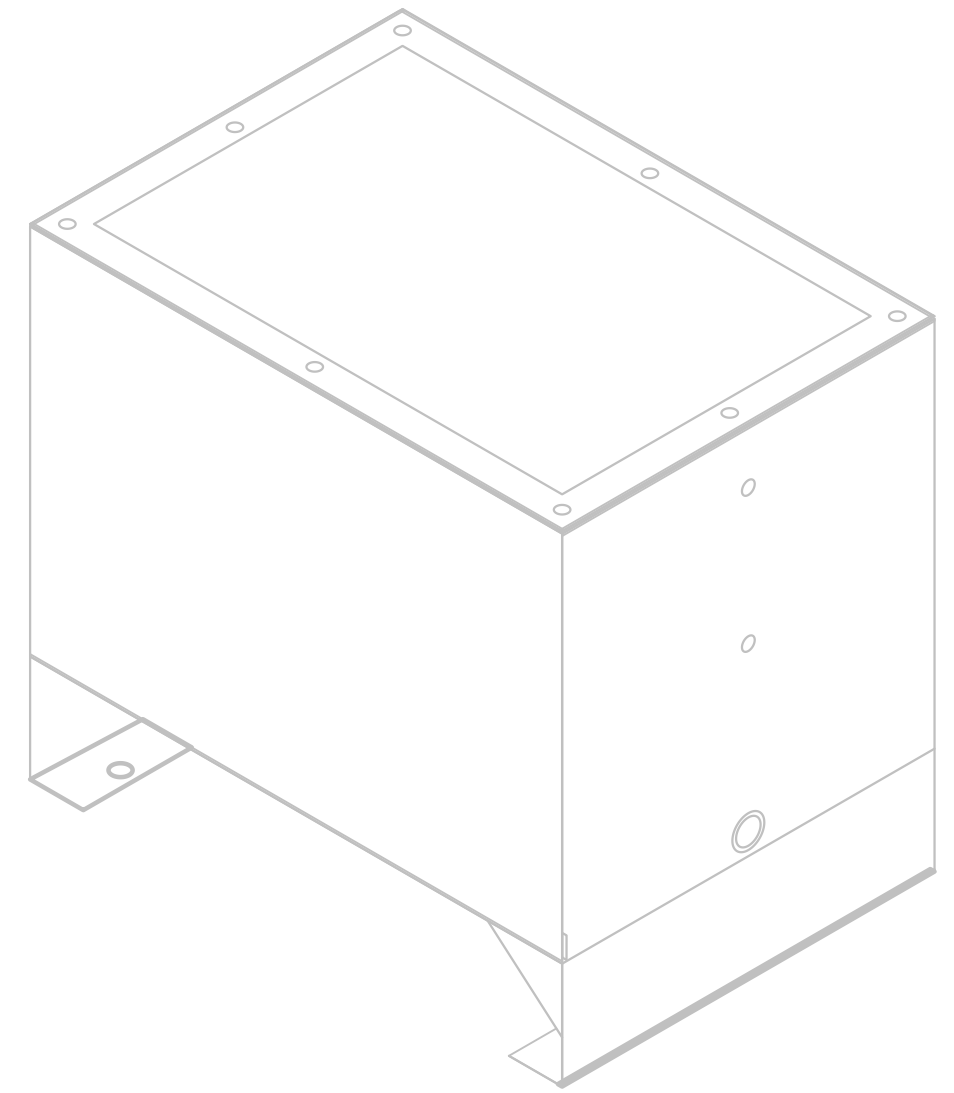
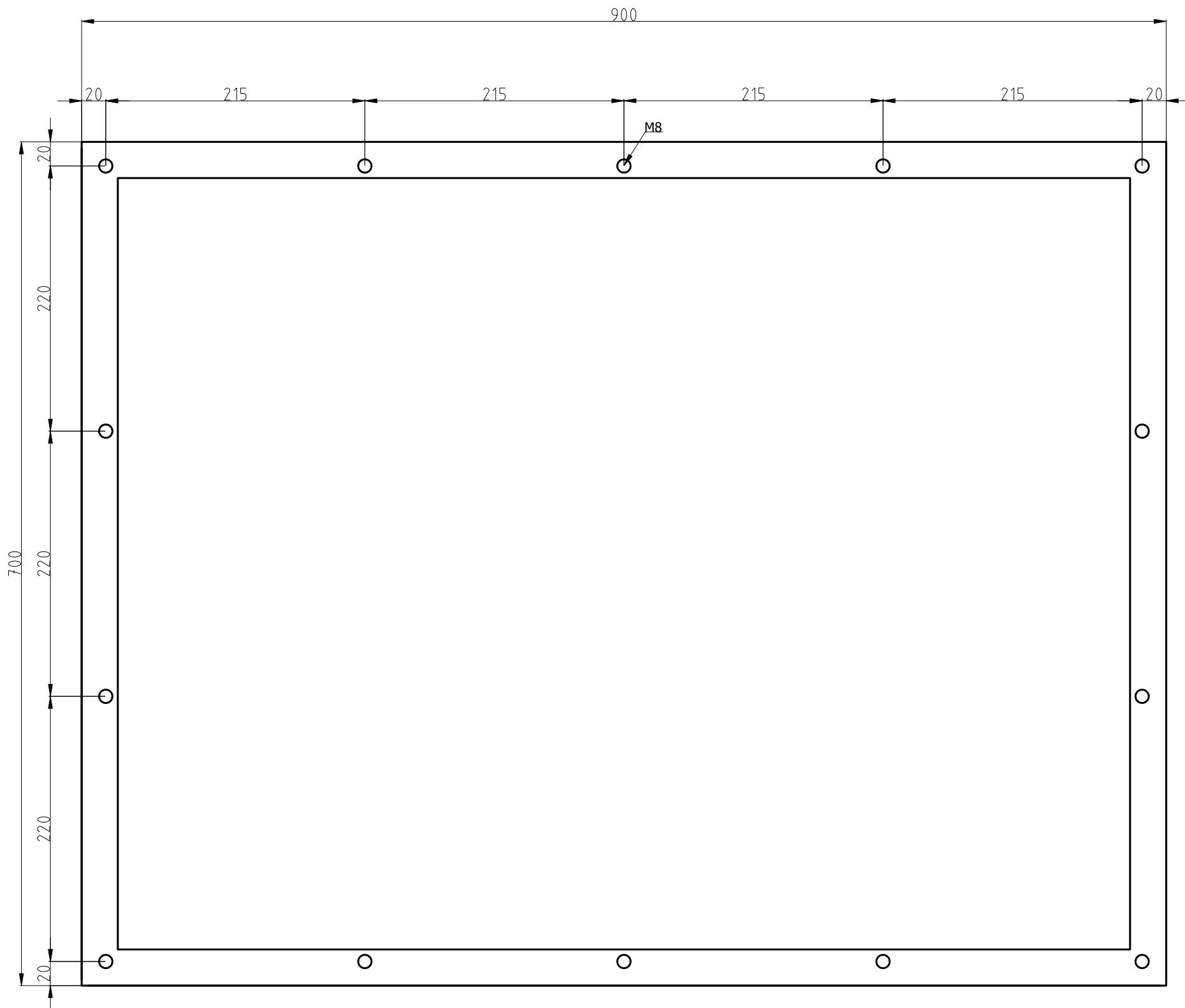
<b>Hydraulics Network</b>		PRODUCT CODE	IT70
DESIGNED BY S.DALLAS		POWDER COAT COLOUR	BERRY GREY
APPROVAL DATE: 23/01/2024		MATERIAL	4mm MS
SCALE: 1:4	REVISION: 0	PAGE: 3-6	



<b>Hydraulics Network</b>		PRODUCT CODE	IT120
DESIGNED BY S.DALLAS		POWDER COAT COLOUR	BERRY GREY
APPROVAL DATE 23/01/2024		MATERIAL	4mm MS
SCALE 1:4	REVISION 0	PAGE 4-6	



<b>Hydraulics Network</b>		PRODUCT CODE	IT200
DESIGNED BY S.DALLAS		POWDER COAT COLOUR	BERRY GREY
APPROVAL DATE 23/01/2024		MATERIAL	4mm MS
SCALE 1:4	REVISION 0	PAGE 5-6	



<b>Hydraulics Network</b>		PRODUCT CODE	IT300 IT400
DESIGNED BY S.DALLAS		POWDER COAT COLOUR	BERRY GREY
APPROVAL DATE: 23/01/2024		MATERIAL	4mm MS
SCALE: 1:4	REVISION	PAGE: 6-6	
	0		