

**Hand pumps**

**PM2V 5-80 a-byB-pm-s**

**Tech sheet**

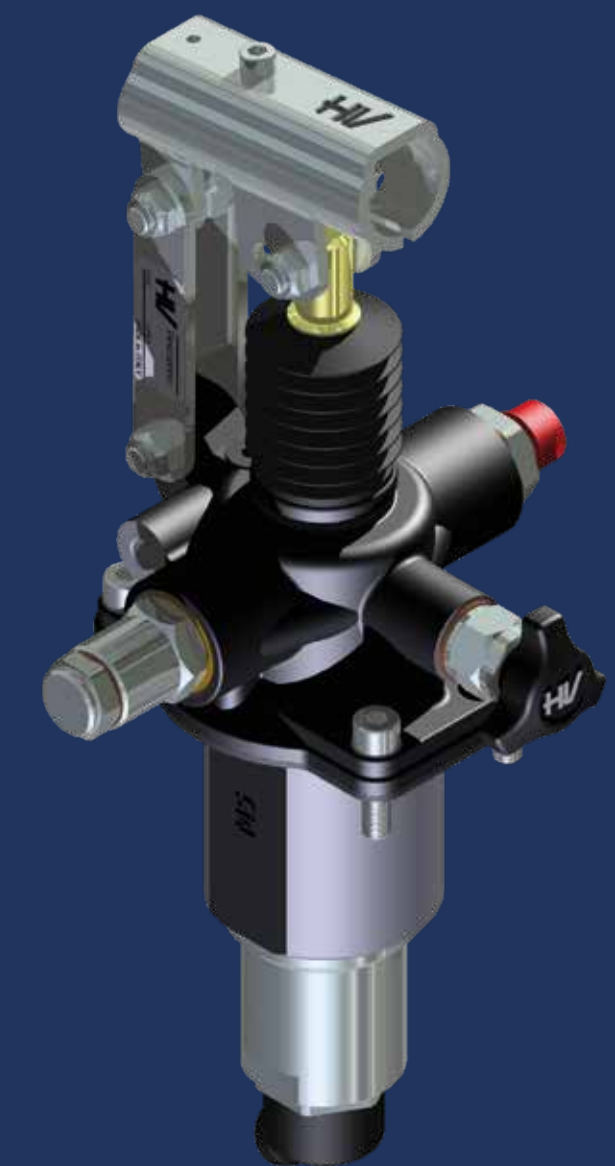
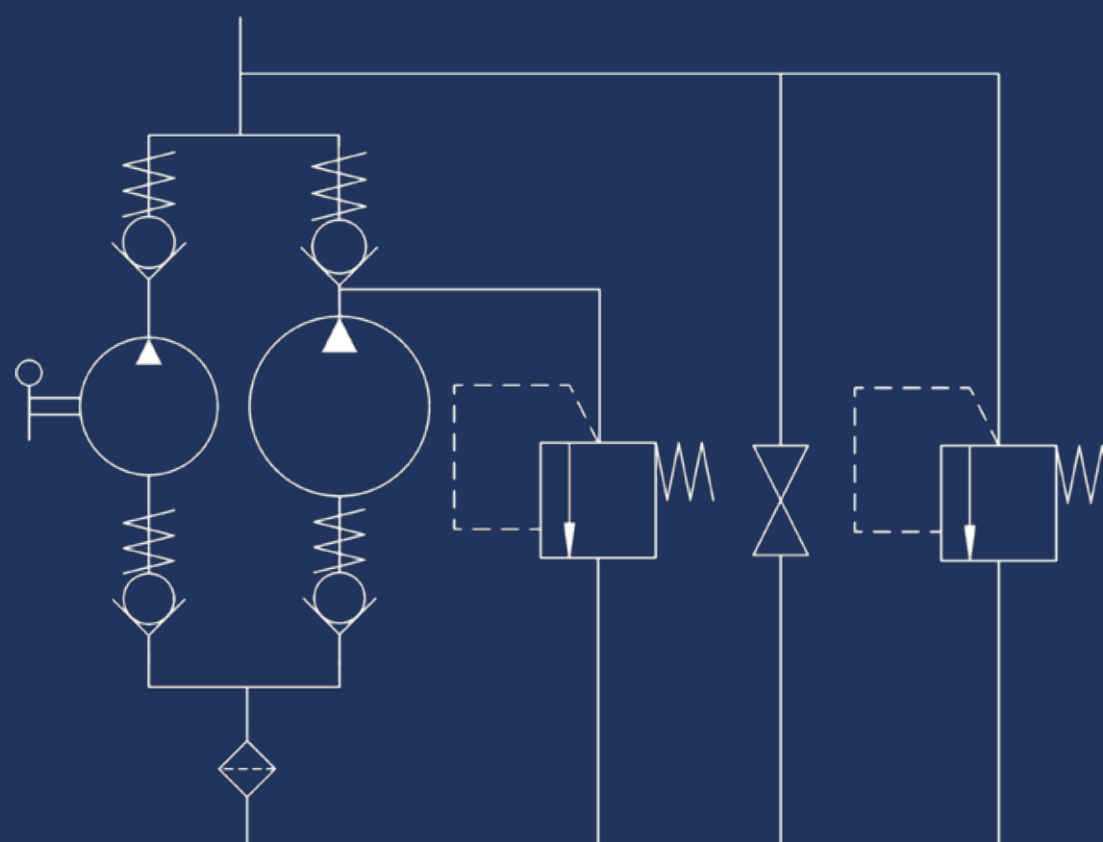
**DETAILS**

with release hand knob  
with automatic control for the 1st speed  
with pressure relief valve and pressure-gauge prearrangement  
two speed hand pump for a single acting cylinder  
for fixing to tank

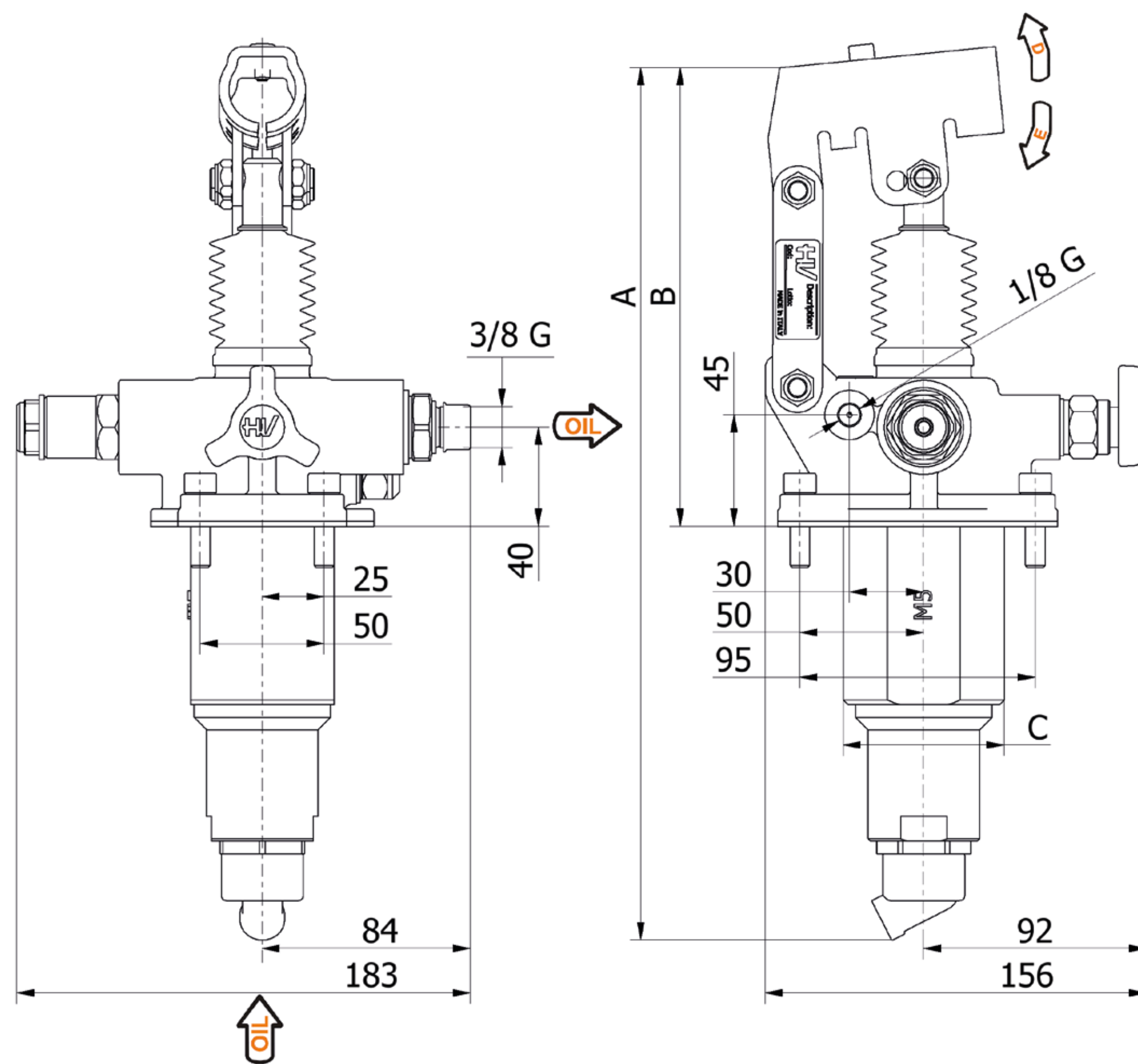
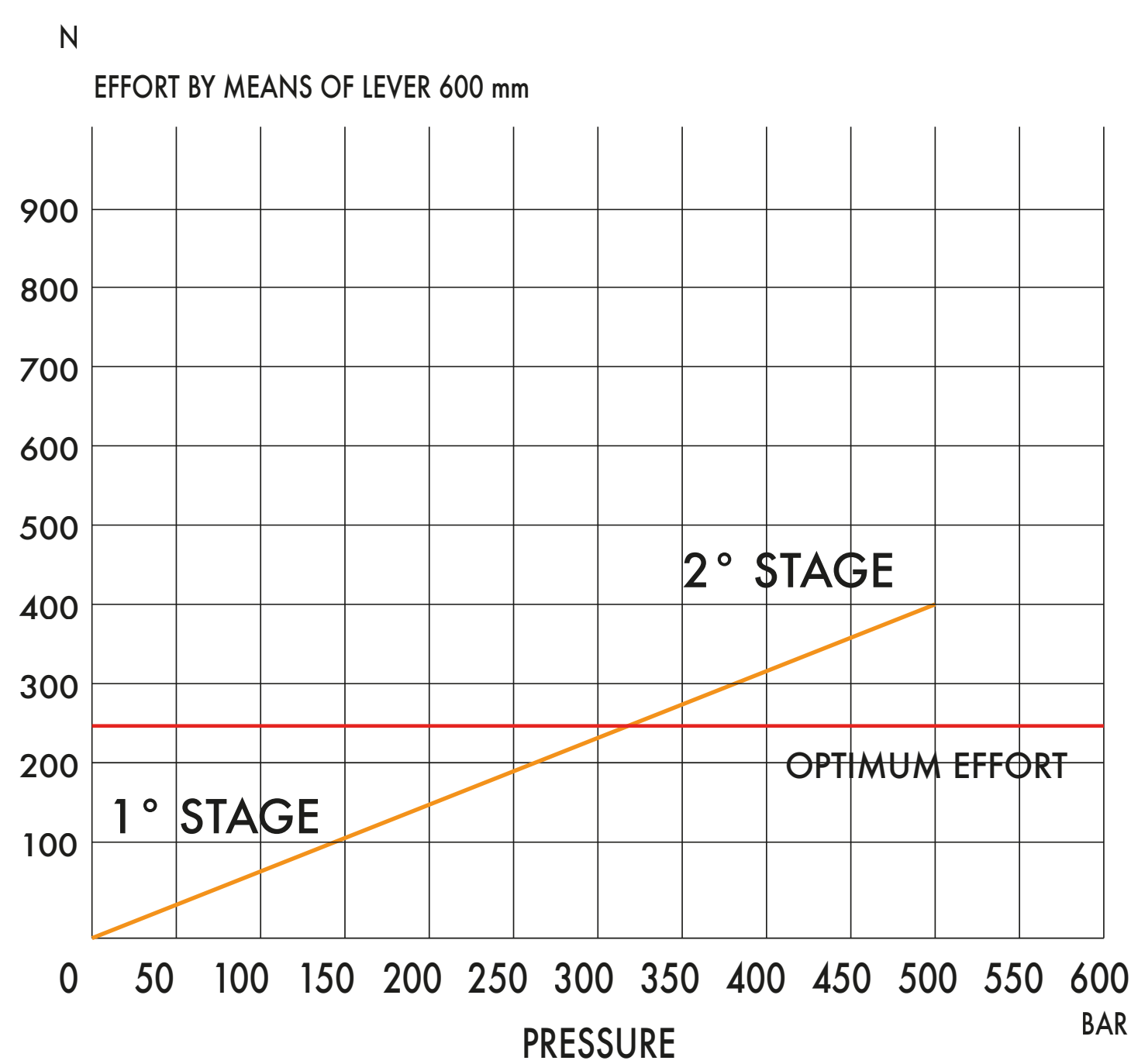
**SPECIFICATIONS**

Cast iron body  
Piston treated with Niploy  
White zinc plated support lever  
Lever connection  $\varnothing$  27  
White zinc plated external parts  
Standard colour black  
Oil tank mounting kit included  
Pressure relief valve standard setting: 400 bar  
With pressure-gauge prearrangement, connection: 1/4 G

**HYDRAULIC DIAGRAM**



**EFFORT DIAGRAM**



| DISPLACEMENT<br>cm <sup>3</sup> | A<br>mm | B<br>mm | C<br>mm | D<br>° | E<br>° | DISPLACEMENT cm <sup>3</sup> |         | PRESSURE BAR |         | MASS<br>KG | CODE      |
|---------------------------------|---------|---------|---------|--------|--------|------------------------------|---------|--------------|---------|------------|-----------|
|                                 |         |         |         |        |        | STAGE 1                      | STAGE 2 | STAGE 1      | STAGE 2 |            |           |
| 5-80                            | 354     | 165     | 65      | 30     | 32     | 80,588                       | 5,036   | 20           | 500     | 6,200      | 6071.0137 |
|                                 |         |         |         |        |        |                              |         |              |         |            |           |
|                                 |         |         |         |        |        |                              |         |              |         |            |           |
|                                 |         |         |         |        |        |                              |         |              |         |            |           |
|                                 |         |         |         |        |        |                              |         |              |         |            |           |