

3KW, 4KW

5" Series

DC Motor

5" DC Motor Specifications Chart

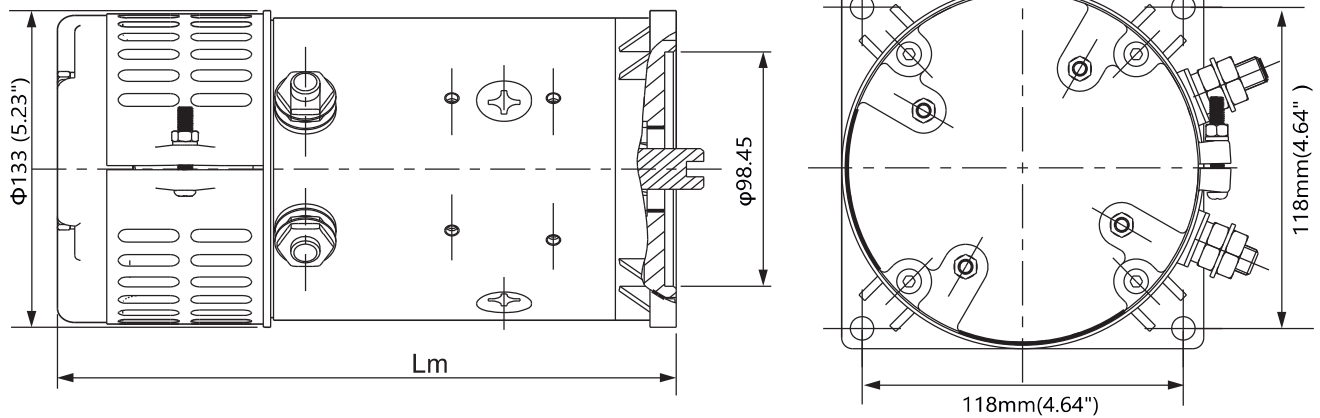
Model	Rated Voltage(v)	Rated Output Power(w)	Output Maximum Power(w)	Rated Current(A)	Rated speed(RPM)	Dimension "Lm"	Cooling Fan
530A-2P-M	12	3000	3300	450	1850	(9.52")242mm	No
530B-2P-M	24	3000	4500	180	3300	(9.05")230mm	No
540B-2P-N	24	4000	5000	215	2700	(10.9")278.5mm	Yes

- 1.Motor duty cycle: S2 =5 minutes S3 =9%. (540B-2P-N, S2=8 minutes S3=15%)
- 2.Insulation class F.
- 3.Protection class IP54.
- 4.Clockwise rotation(view from the shaft end).

Outline dimension

3KW, DC12&24V

Without Cooling Fan



4KW, DC24V

With Cooling Fan

