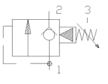
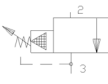
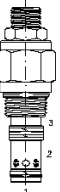

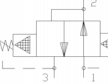
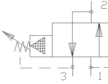
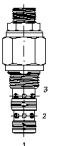
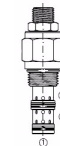
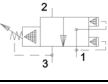
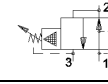
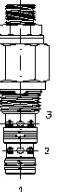

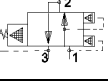
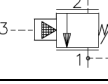

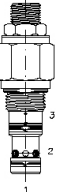


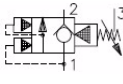
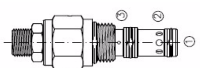
# PRESSURE SEQUENCE VALVES

PSVP				PSXS			
	Sequence with Reverse Check				Sequence - External Pilot		
	Part Number	Flow L/min	Cavity		Part Number	Flow L/min	Cavity
		PSVP-10-N-S-0-15	76		1025		PSXS-08-N-S-0-15
	PSVP-10-N-S-0-30	76	1025		PSXS-10-N-S-0-15	46	1030

PSOS				PSCS			
	Sequence - Internal Pilot Normally Open				Sequence - Internal Pilot Normally Closed		
	Part Number	Flow L/min	Cavity		Part Number	Flow L/min	Cavity
		PSOS-08-N-S-0-15	23		0830		PSCS-08-N-S-0-15
	PSOS-10-N-S-0-15	46	1030		PSCS-10-N-S-0-15	46	1030

BSXS				BSOS			
	Breaker Sequence - Ext. Pilot				Breaker Sequence - Int. Pilot N.O.		
	Part Number	Flow L/min	Cavity		Part Number	Flow L/min	Cavity
		BSXS-08-N-S-0-15	23		0830		BSOS-08-N-S-0-15
	BSXS-10-N-S-0-15	46	1030		BSOS-10-N-S-0-15	46	1030

BSCS				HLSV & HLSS			
	Breaker Sequence - Internal Pilot N.C.				Hi-Lo Sequence - Soft Shift, Poppet Type		
	Part Number	Flow L/min	Cavity		Part Number	Flow L/min	Cavity
		BSCS-08-N-S-0-15	23		0830		HLSV-08-N-S-0-40
	BSCS-10-N-S-0-15	46	1030		HLSV-10-N-S-0-15	76	1025
					Hi-Lo Sequence - Soft Shift, Spool Type		
					HLSS-10-N-S-0-40	76	1025

PBVP			
	Breaker Sequence - Reverse Check		
	Part Number	Flow L/min	Cavity
	PBVP-10-N-S-0-30	76	1025

Use the cavity size to select the correct body type then choose the desired port size.